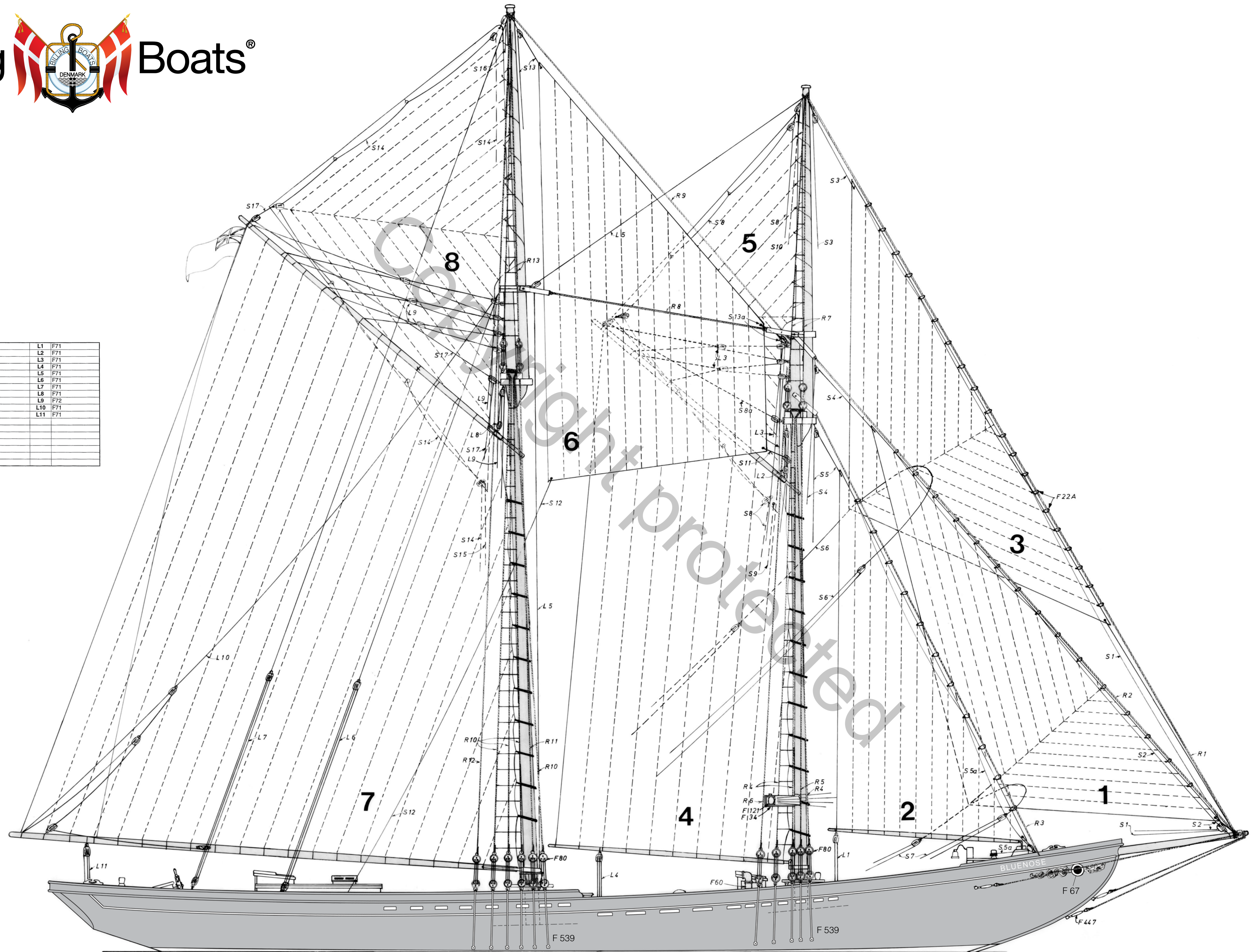
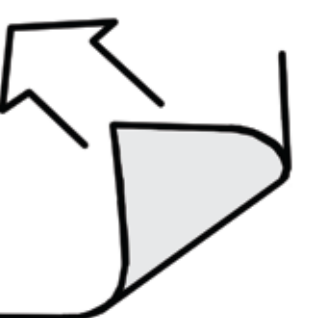
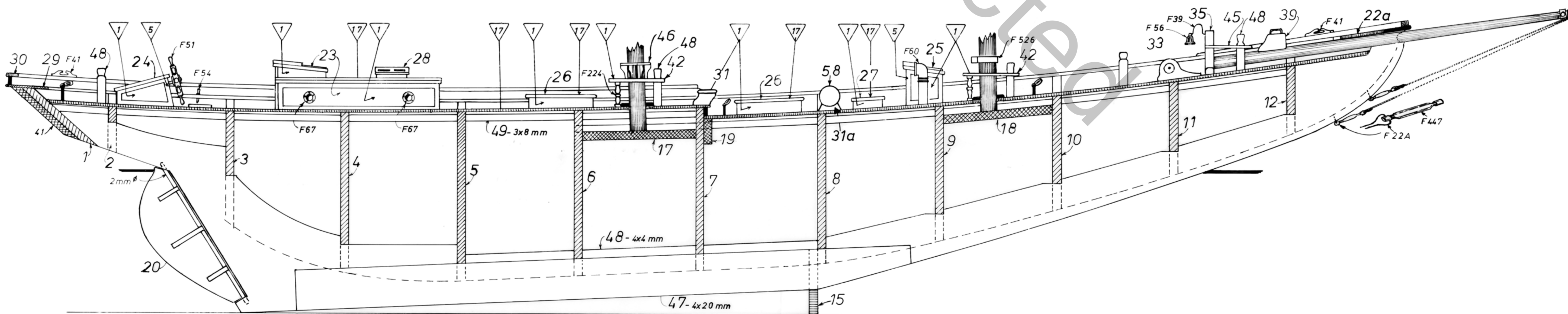
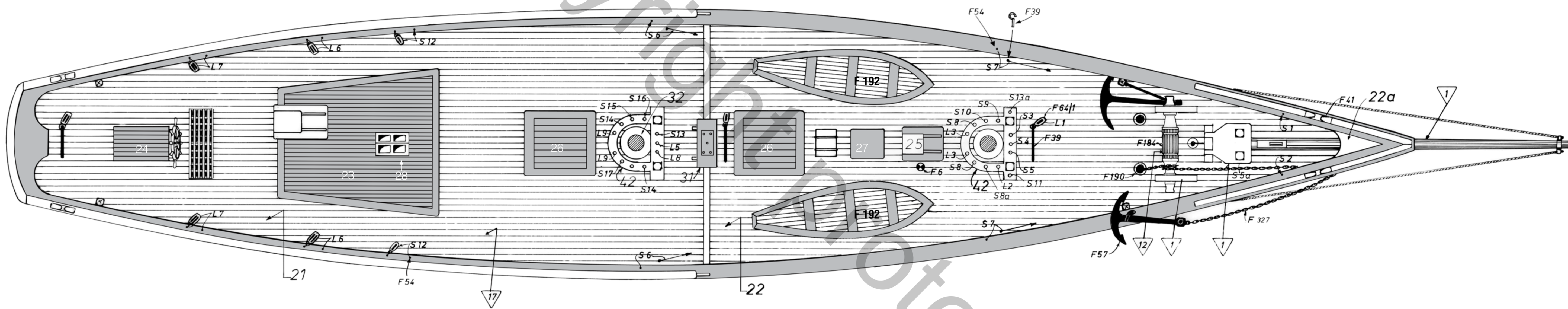
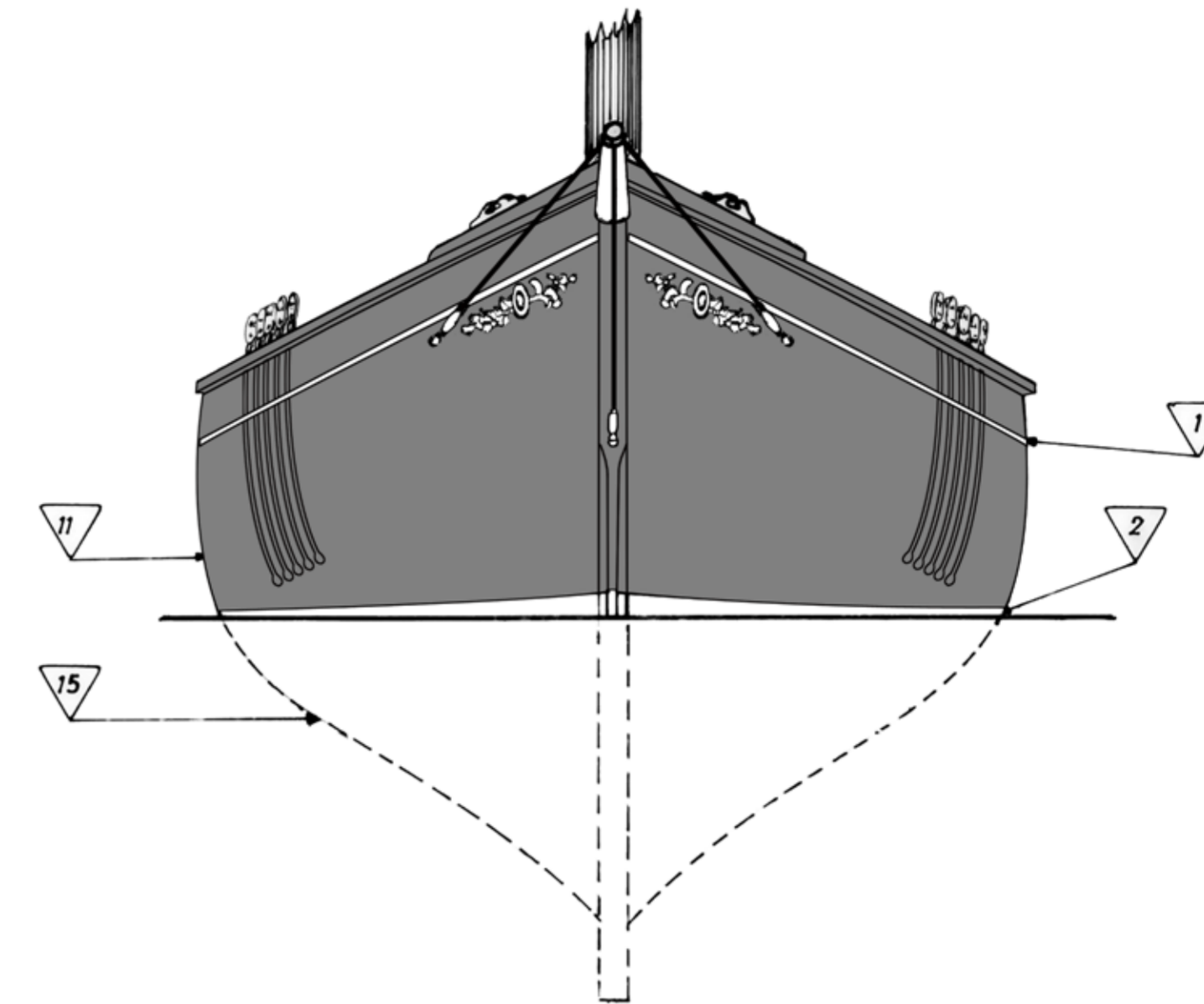
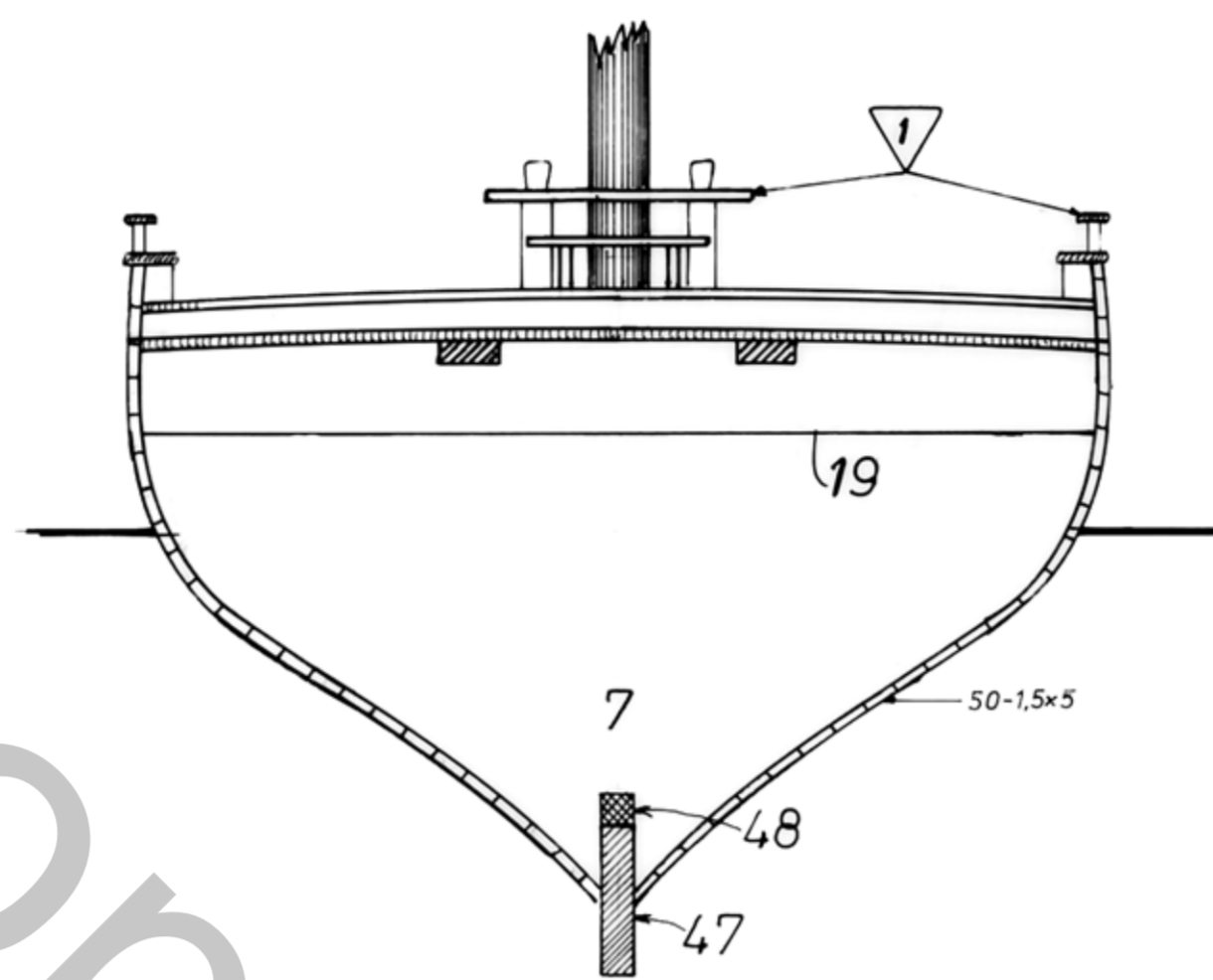
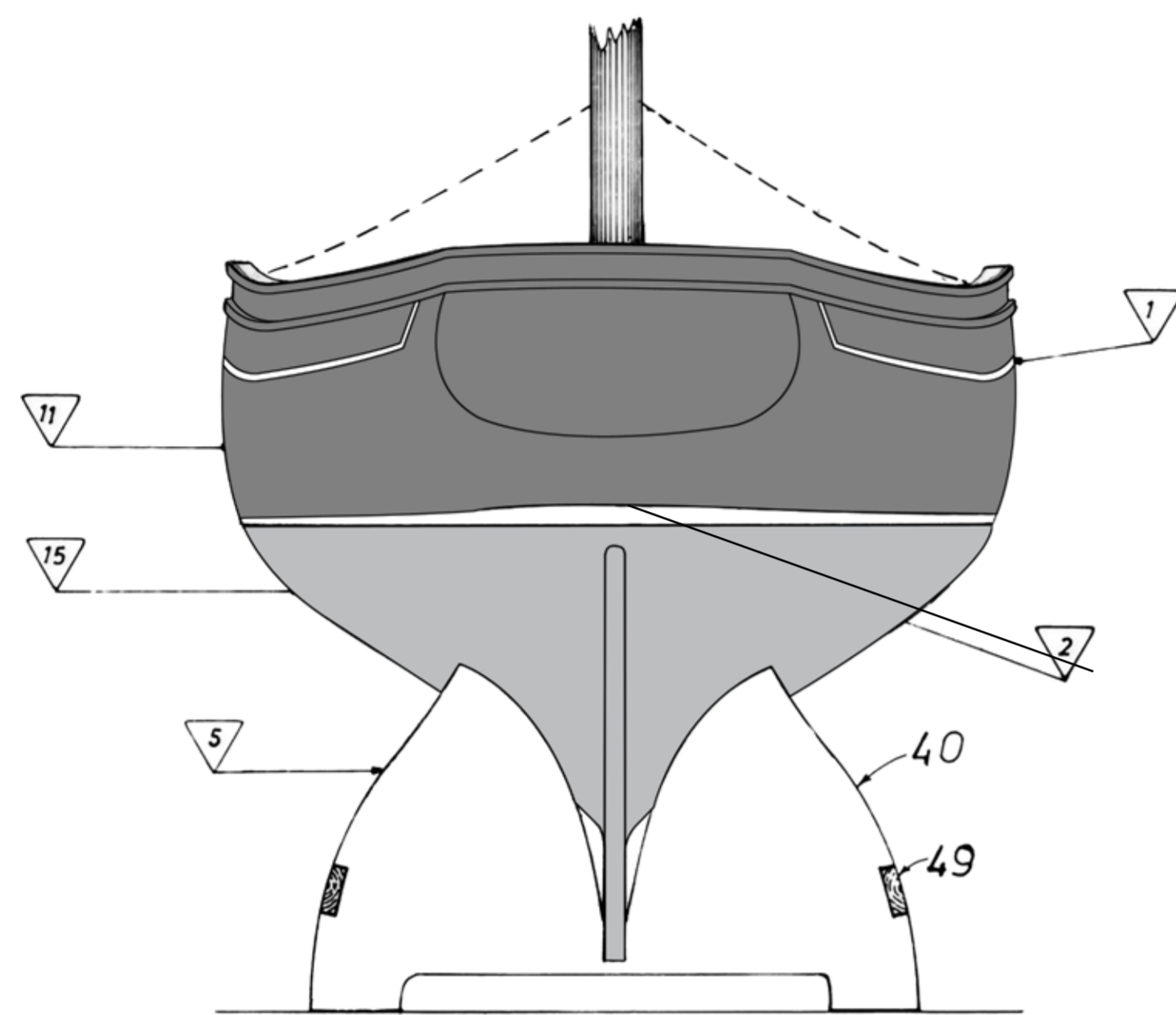


S1	F71	R1	F72	L1	F71
S2	F71	R2	F72	L2	F71
S3	F71	R3	F72	L3	F71
S4	F71	R4	F72	L4	F71
S5	F71	R5	F71	L5	F71
S5a	F71	R6	F72	L6	F71
S6	F71	R7	F71	L7	F71
S7	F71	R8	F72	L8	F71
S8	F71	R9	F72	L9	F72
S9	F71	R10	F72	L10	F71
S10	F71	R11	F71	L11	F71
S11	F71	R12	F72		
S12	F71	R13	F71		
S13	F71				
S14	F71				
S15	F71				
S16	F71				
S17	F71				



Drawn by:	S.S.H.	8047	Billing Boats - Denmark
Date:	13.03.12.		
Scale:	1:65	<b>Blunose „576,,</b> General Drawing 1	Drawing no. 50-50034





Drawn by:	S.S.H.	8048	Billing Boats - Denmark
Date:	13.03.12.		
Scale:	1:65	<b>Bluenose „576,,</b> General Drawing 2	Drawing no. 50-50034

